

Up to  
2000 L

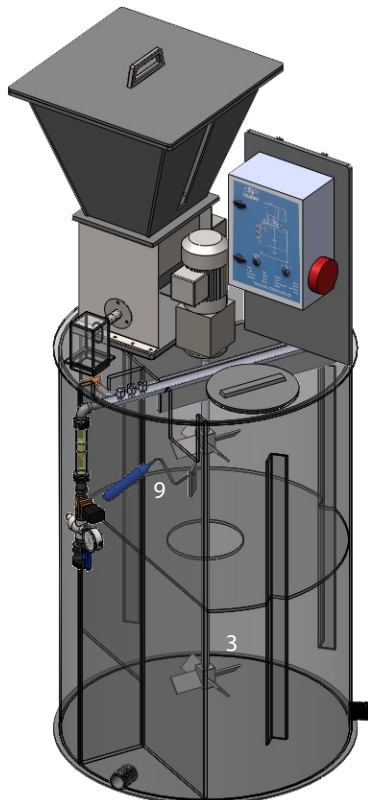
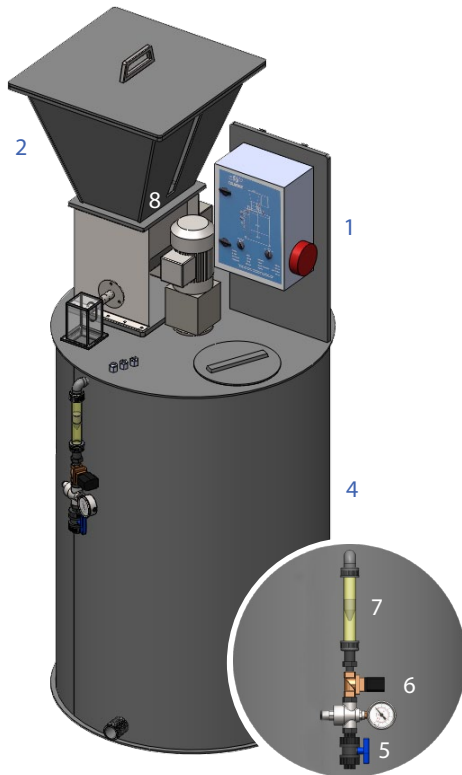
No  
corrosion

Compact

Multiple  
preparations

Mechanical  
variator

Simple  
use



## Colberge Mpowder

Colberge developed the Mpowder series as automatic batch principle of powder preparation systems, allowing to obtain a final product of high quality. The range of four models varies between 600 and 2000 liters capacity with concentrations of preparation according to the dosing device applied.

The regulation of water flow and the doser (2) with the hard variator speed allows the preparation in continuous of variable concentration solutions.

Ideal for lime and charcoal preparation, dilution of chemicals such as permanganate, polyphosphates and other powder products.

## Process description

Each system consists in a tank (4) with two separate volumes constructed from high-density polyethylene (very resistant to aggressive atmospheres).

The level probe (9) commands the water entrance through an electric valve (6) into the dilution chamber where it reaches the minimum level and stops when it has reached the maximum level. The solution concentrates at the bottom and through communicating vessels, it ascends to a higher level and reach to the dosing compartment.

The rotameter (7) and valve adjustment (5) ensuring a dilution flow to the proper functioning of the preparation within the established parameters. The water is sprayed in order to ensure a pre-mix with the powder to prevent the formation of lumps and allow the rapid dissolution of the product

The low-speed agitator (3) with shaft and two stainless steel propellers installed in two chambers will give a total uniform solution.

Due to the geometry of the unit, the circuit of the passage of water and chemicals provides a preparation of reagents free of insoluble.

## Standard accessories

- Protection acrylic glass in dosing output;
- Mechanism to avoid the formation of clots and to allow a fast dissolution of the product;
- Removable lid.

## Optional accessories

- Heating resistance on the powder dosing exit;
- No powder detector (8) in the hopper as well as the respective alarm, with information on the console, luminous signal and free contact on the power board;



Synopsis of automatic preparer

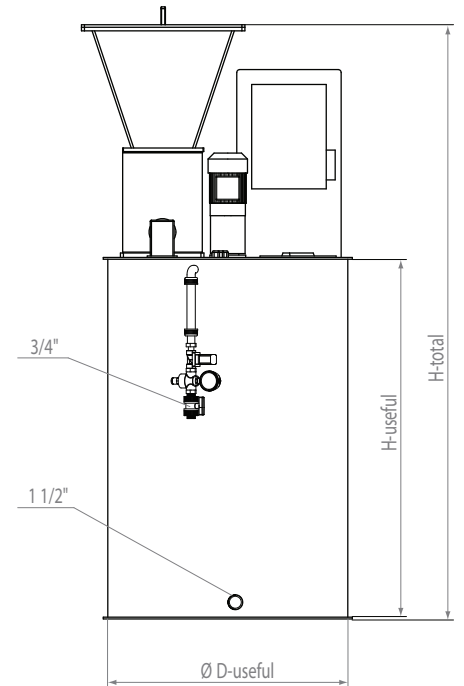
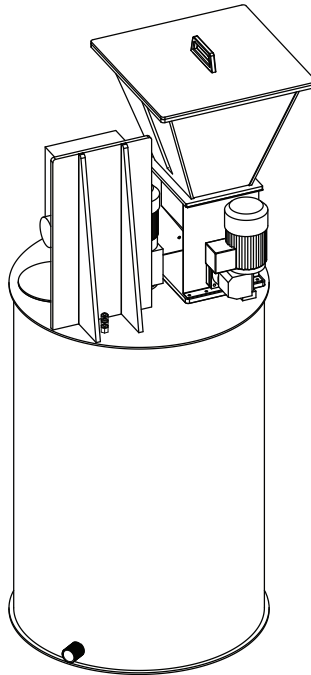
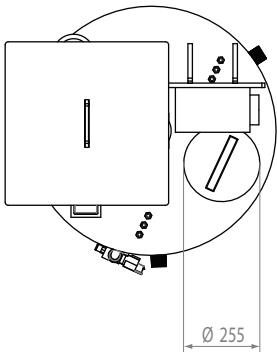
## Control panel and synopsis

The control panel (1) has a button on overall safety and operation of individual switches with signal light and LED indicators with trend of the functioning of various elements, allowing the operator total control of the unit in an intuitive way.

### Buttons

- Dry feeder switch - on, off, manual;
- Dilution agitator switch- on,off.

## Views / Dimensions



Mpowder Series	Model	Dimensions			Volume (L)		Mixer	
		H-useful (mm)	H-total (mm)	Ø D-useful (mm)	Geometric	Power (kW)	Ø Superior propeller (mm)	Ø Inferior propeller (mm)
	MP05	1200	2100	850	600	0,55	200	350
	MP10	1200	2100	1050	1000	0,55	200	350
	MP15	1500	2400	1190	1600	0,55	200	350
	MP20	1500	2400	1350	2000	0,55	200	350